

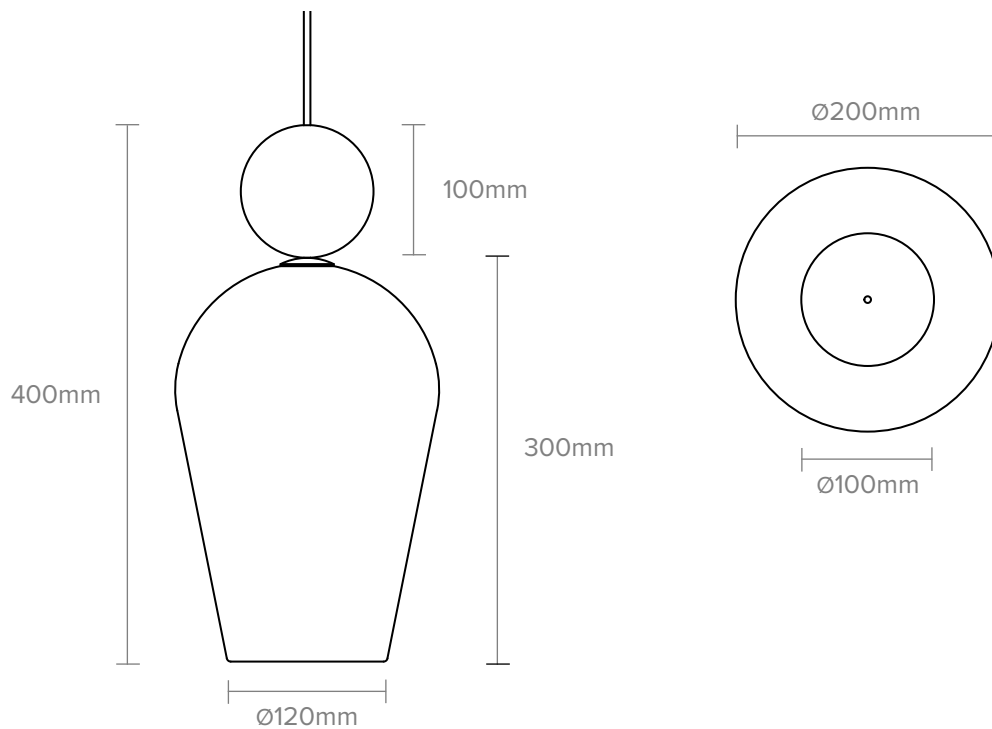
HUE-MAN

HM_23V1

ILANEL



A limited edition of three hand-blown glass pendants adorned with brass lampholder and American Oak sphere.



TYPE

Pendant

MODEL

HM-200

MATERIAL

Brass, Hand Blown Glass

LIGHT SOURCE

G80 Lightbulb
Warm White (Replaceable)

POWER SOURCE

110 - 230V Universal input
Dimmable

CORD

Standard 2m
Custom lengths upon request

DIMENSIONS

Oak Sphere
Ø100mm
Glass
Ø200mm x 300mm

WEIGHT

HM-200: 3.2kg
Weights are per single module

CERTIFICATION

ETL/UL upon request for North America

WARRANTY

3 years residential
2 years commercial

GLASS FINISHES



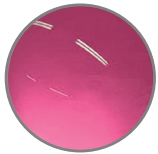
AMBER

Plain



NAVY

Plain



PINK

Plain

METAL FINISHES



BRUSHED

Brass



SLATE BLACK

Brass Patina



WHITE

Brass Patina

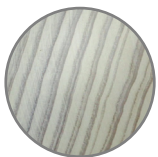
PINE OAK FINISHES



NATURAL



ONYX



LIME WHITE