

LATTICE

LTC_PEN_23V1

ILANEL

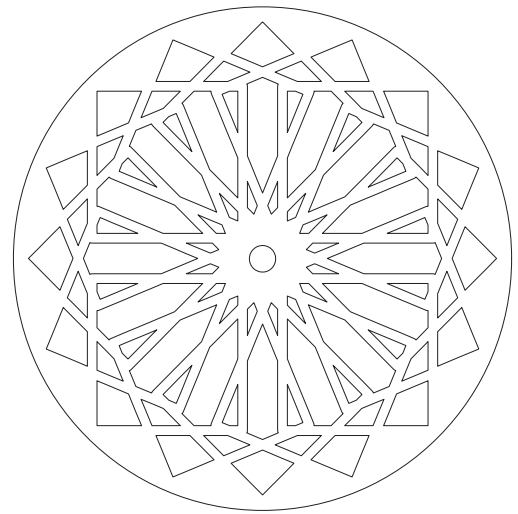
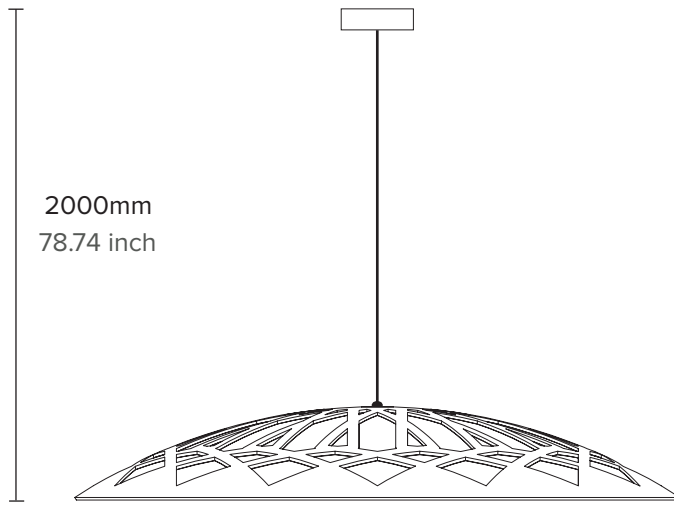


Inspired by the traditional Islamic architectural element mashrabiya (مَشْرِيبِيَا), a carved wood latticework for privacy and shading. The Lattice pendant and sconce merge cultural, visual and technical aspects to form an intricate luminaire that creates a fascinating play of light and shade.

LATTICE

LTC_PEN_23V1

ILANEL



TYPE

Pendant

MATERIAL

Aluminium

WEIGHT

3.5kg

MODEL

LATTICE-MOORISH

LIGHT SOURCE

E27, Max 10W
VINTAGE LED G125 Gold Cap
Light bulb provided

CERTIFICATION

ETL/UL upon request for North America

CORD

2m Cotton Braided
Custom lengths upon request

WARRANTY

3 years residential
2 years commercial

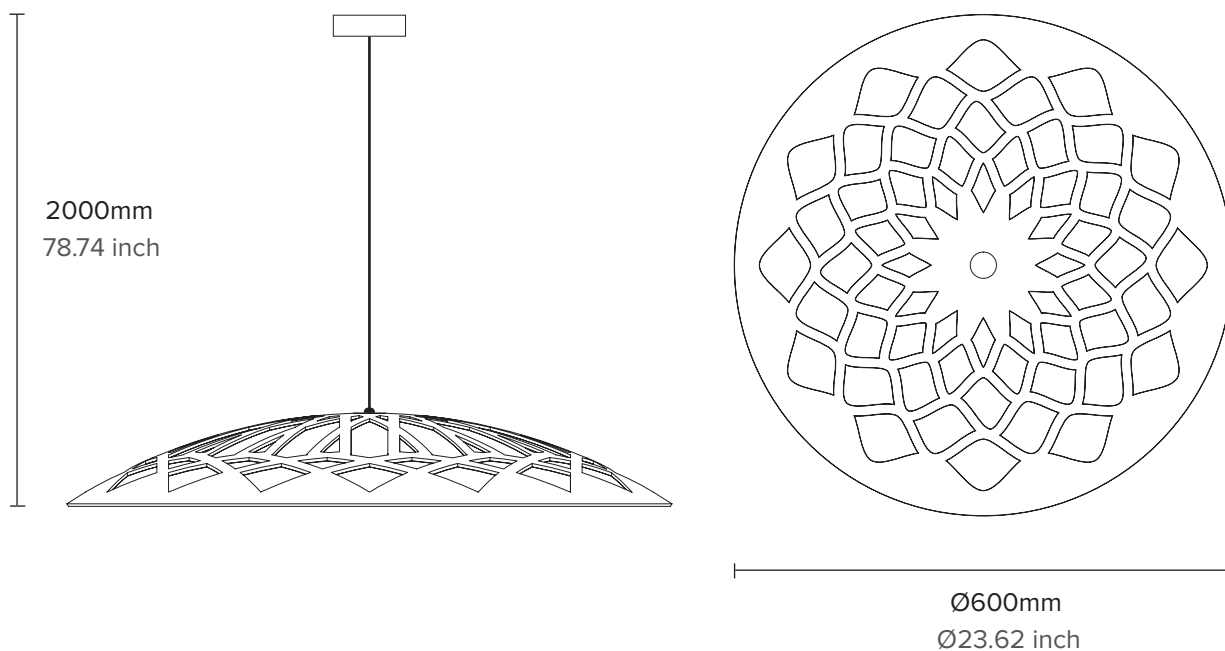
DIMENSION

Ø600mm

LATTICE

LTC_PEN_23V1

ILANEL



TYPE

Pendant

MATERIAL

Aluminium

WEIGHT

3.5kg

MODEL

LATTICE

LIGHT SOURCE

E27, Max 10W
VINTAGE LED G125 Gold Cap
Light bulb provided

CERTIFICATION

ETL/UL upon request for North America

CORD

2m Cotton Braided
Custom lengths upon request

WARRANTY

3 years residential
2 years commercial

DIMENSION

Ø600mm

METAL FINISHES



MEDIUM BRONZE
Powdercoat



BLACK ACE
Powdercoat



SATIN WHITE
Powdercoat



CUSTOM