

SNOWBALL

SNB_SMO_23V1

ILANEL

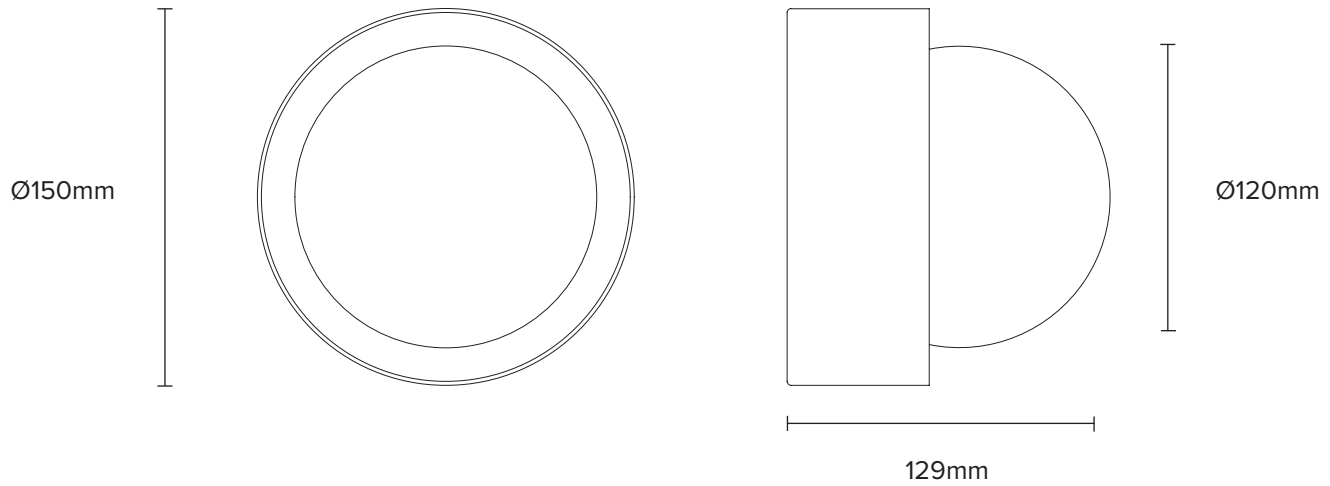


Nesting in a cradle, a single hand-blown glass sphere, brings warmth whether on the wall or the ceiling. Like the flower after which this light is named, 'Snowball' brings a whimsical playfulness while remaining simple and elegant on its own or in mass.

SNOWBALL

SNB_SMO_23V1

ILANEL



TYPE

Surface Mounted

MATERIAL

Aluminium, Brass, Hand-blown Glass

WEIGHT

1.2kg

MODEL

SNB-150

220-240V REGIONS

G4 Bi-pin (max. 3W per socket)

3W LED, 3000K

Remote LED driver supplied

Phase dimming 3 - 100%

Please contact us for other dimming options

CERTIFICATION

ETL/UL upon request for North America

WARRANTY

3 years residential

2 years commercial

100-120V REGIONS

G9 Bi-pin (max. 5W per socket)

5W LED, 3000K

Dimmable

DIMENSIONS

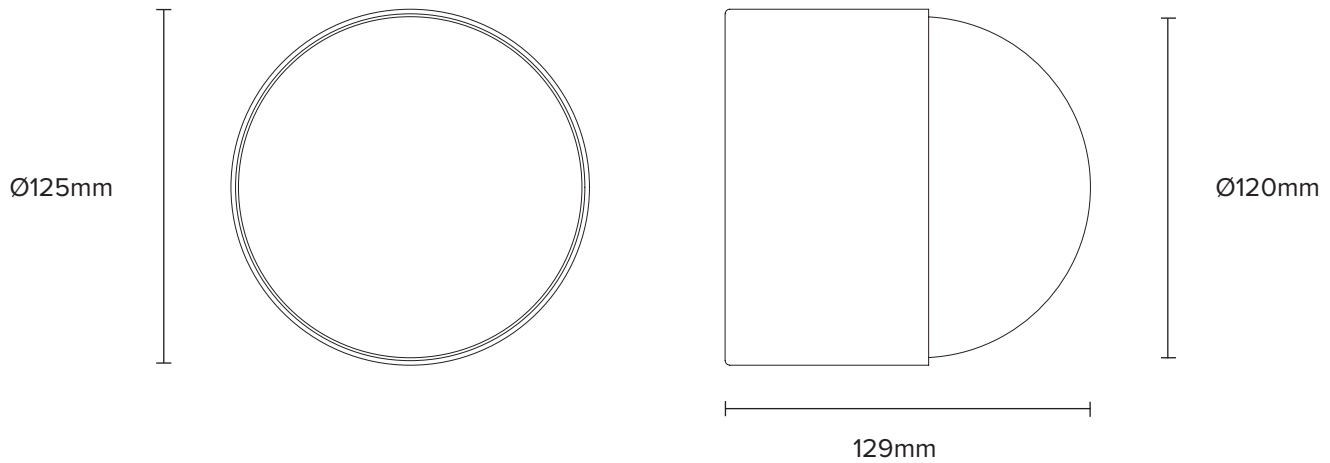
Base: Ø150mm x 57mm

Glass Sphere: Ø120mm

SNOWBALL

SNB_SMO_23V1

ILANEL



TYPE

Surface Mounted

MATERIAL

Aluminium, Brass, Hand-blown Glass

WEIGHT

1.0kg

MODEL

SNB-120

220-240V REGIONS

G4 Bi-pin (max. 3W per socket)

3W LED, 3000K

Remote LED driver supplied

Phase dimming 3 - 100%

Please contact us for other dimming options

CERTIFICATION

ETL/UL upon request for North America

WARRANTY

3 years residential

2 years commercial

100-120V REGIONS

G9 Bi-pin (max. 5W per socket)

5W LED, 3000K

Dimmable

DIMENSIONS

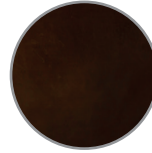
Base: Ø125mm x 72mm

Glass Sphere: Ø120mm

BRASS FINISHES



AGED
Brass



ANTIQUE
Brass Patina



BRUSHED
Brass



SLATE BLACK
Brass Patina



CUSTOM

ALUMINIUM FINISHES



BLACK ACE
Powdercoat



SATIN WHITE
Powdercoat



CUSTOM

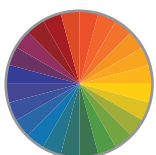
GLASS FINISHES



CLOUDY WHITE



FIZZY WHITE



CUSTOM