

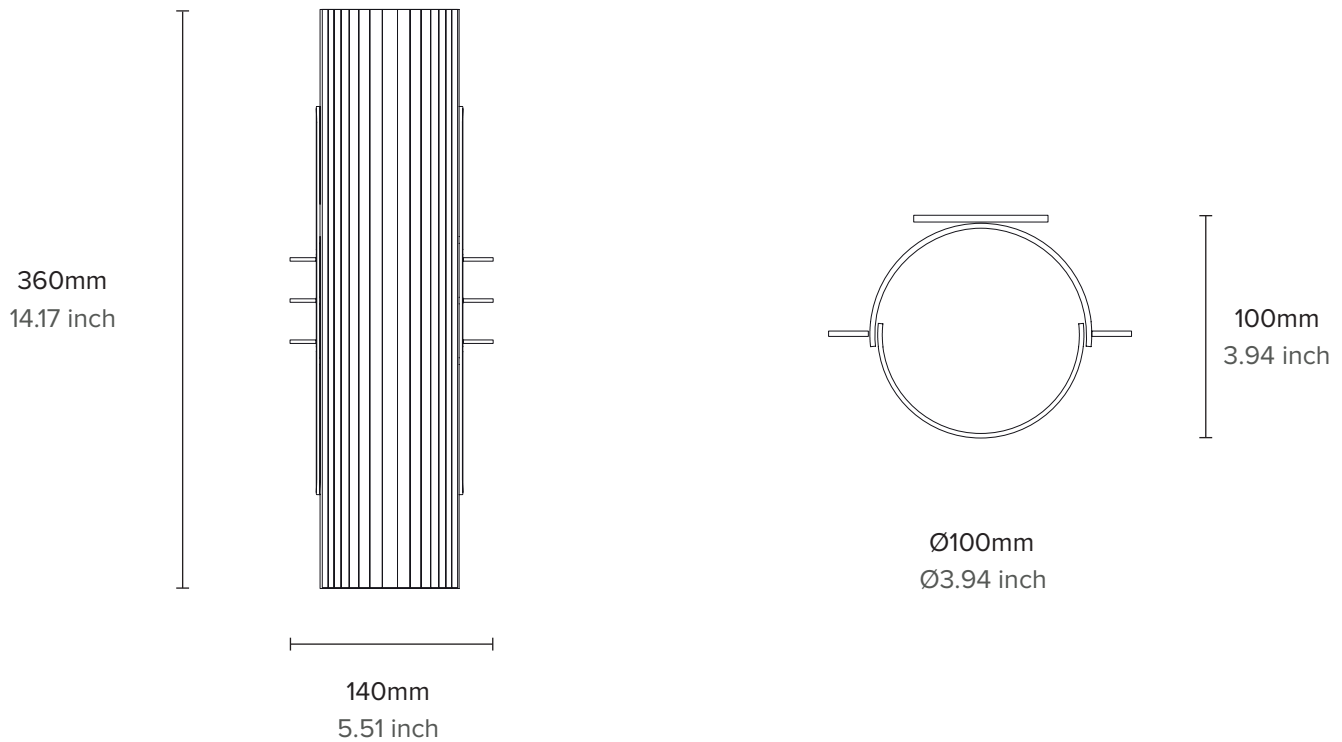
VITRINE

VTN_SMO_23V1

ILANEL



An illuminated Forged Fluted Glass, embraced by a Coved Brass Cradle.



TYPE

Surface Mounted

MATERIAL

Brass, Forged Glass

WEIGHT

≈ 2.5kg

MODEL

VIT

220-240V REGIONS

G4 Bi-pin (max. 3W per socket)

3W LED, 3000K

Phase dimming 3 - 100%

Please contact us for other dimming options

CERTIFICATION

ETL/UL upon request for North America

WARRANTY

3 years residential

2 years commercial

100-120V REGIONS

G9 Bi-pin (max. 5W per socket)

5W LED, 3000K

Dimmable

DIMENSIONS

140mm x 100mm x 360mmH

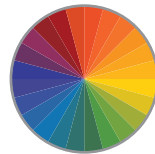
METAL FINISHES



LIVING
Brushed Brass



SEALED
Brushed Brass

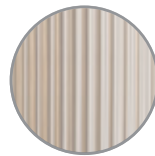


CUSTOM

GLASS FINISHES



CLEAR REEDED



FROSTED ETCHED



CUSTOM