

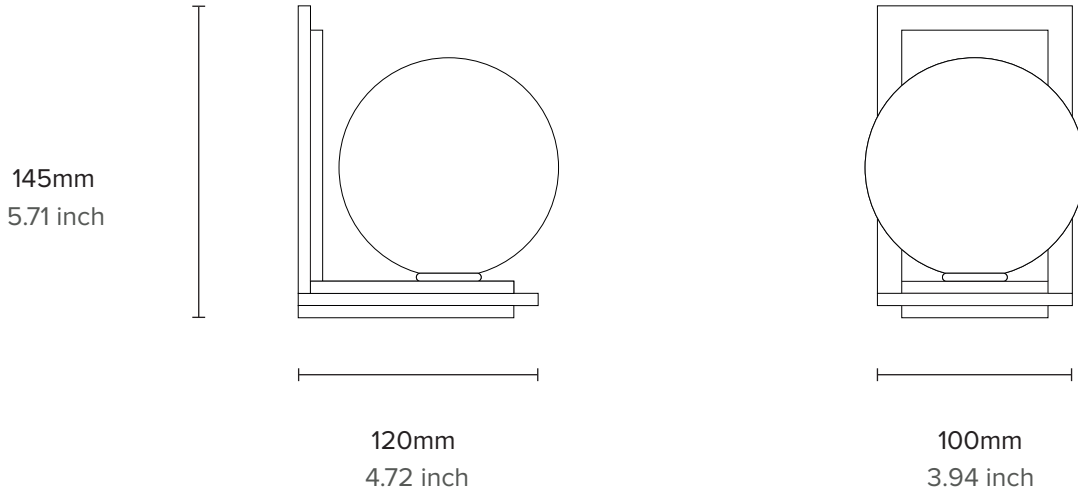
**DAIS**

DAIS\_WALL\_23V1

ILANEL



An illuminated Hand-blown Glass Vessel, trophied on a brass platform.



## TYPE

Wall Light

## MATERIAL

Brass, Hand-blown Glass

## WEIGHT

≈ 3.0kg

## MODEL

DIS-S120 (SPHERE)

## 220-240V REGIONS

G4 Bi-pin (max. 3W per socket)

3W LED, 3000K

Phase dimming 3 - 100%

*Please contact us for other dimming options*

## CERTIFICATION

ETL/UL upon request for North America

## WARRANTY

3 years residential

2 years commercial

## 100-120V REGIONS

G9 Bi-pin (max. 5W per socket)

5W LED, 3000K

Dimmable

## DIMENSIONS

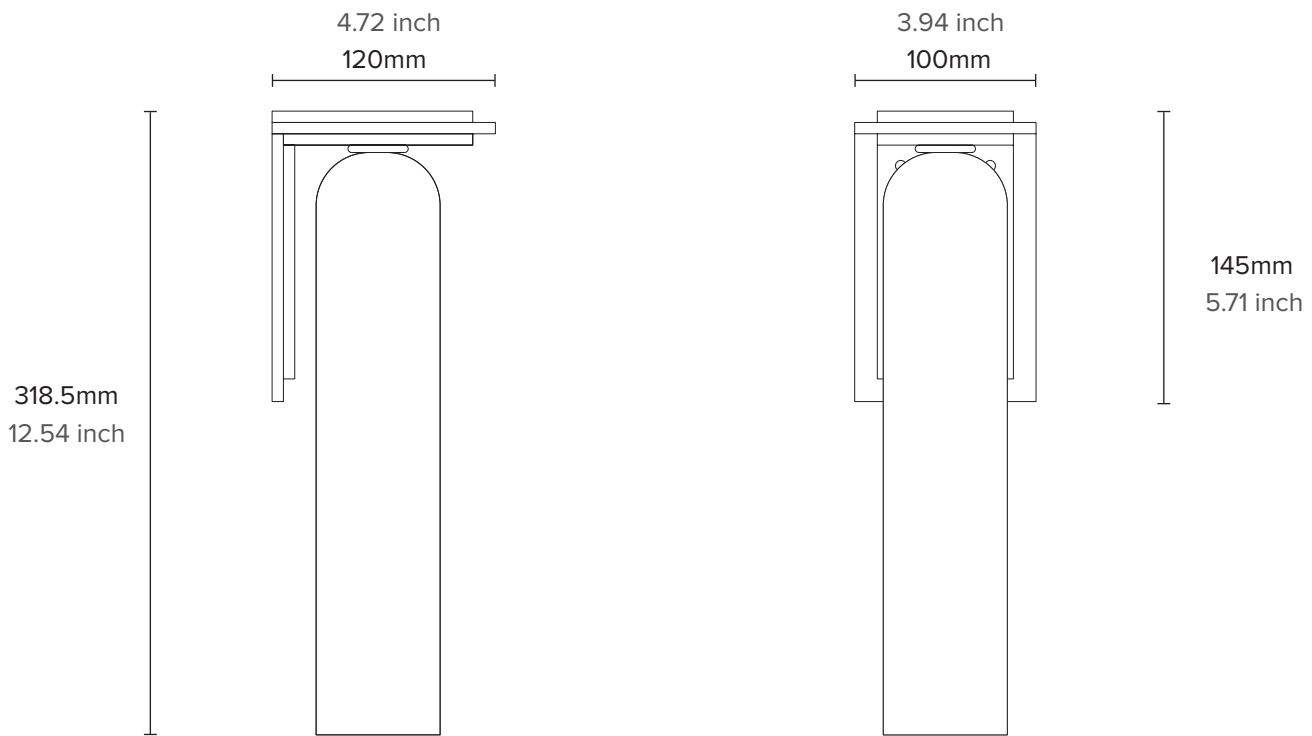
Base: 120mm x 100mm x 145mm

Glass Sphere: Ø120mm

# DAIS

DAIS\_WALL\_23V1

# ILANEL



## TYPE

Wall Light

## MATERIAL

Brass, Hand-blown Glass

## WEIGHT

≈ 3.0kg

## MODEL

DIS-T75 (TUBE)

## 220-240V REGIONS

G4 Bi-pin (max. 3W per socket)

3W LED, 3000K

Phase dimming 3 - 100%

*Please contact us for other dimming options*

## CERTIFICATION

ETL/UL upon request for North America

## WARRANTY

3 years residential

2 years commercial

## 100-120V REGIONS

G9 Bi-pin (max. 5W per socket)

5W LED, 3000K

Dimmable

## DIMENSIONS

Base: 120mm x 100mm x 145mm

Glass Tube: Ø75mm x 280mm H

## METAL FINISHES



**AGED BRASS**



**BRUSHED BRASS**

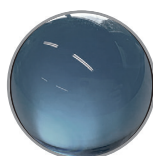


**CUSTOM**

## GLASS FINISHES



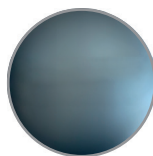
**CLOUDY WHITE**



**NAVY**



**FIZZY WHITE**



**FROSTED NAVY**



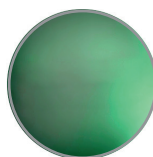
**SMOKE**



**EMERALD**



**SMOKE FROSTED**



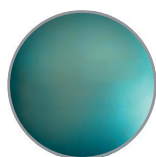
**FROSTED EMERALD**



**TEAL**



**AMBER**

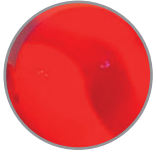


**FROSTED TEAL**



**FROSTED AMBER**

## GLASS FINISHES



**FLAME RED**



**CUSTOM**